



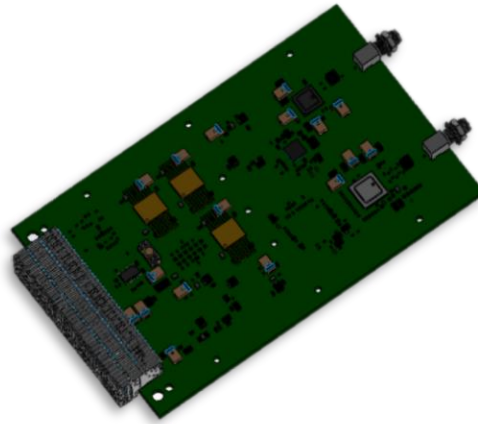
FRONTGRADE

ADV PRODUCT BRIEF

SRFM

System RF Module

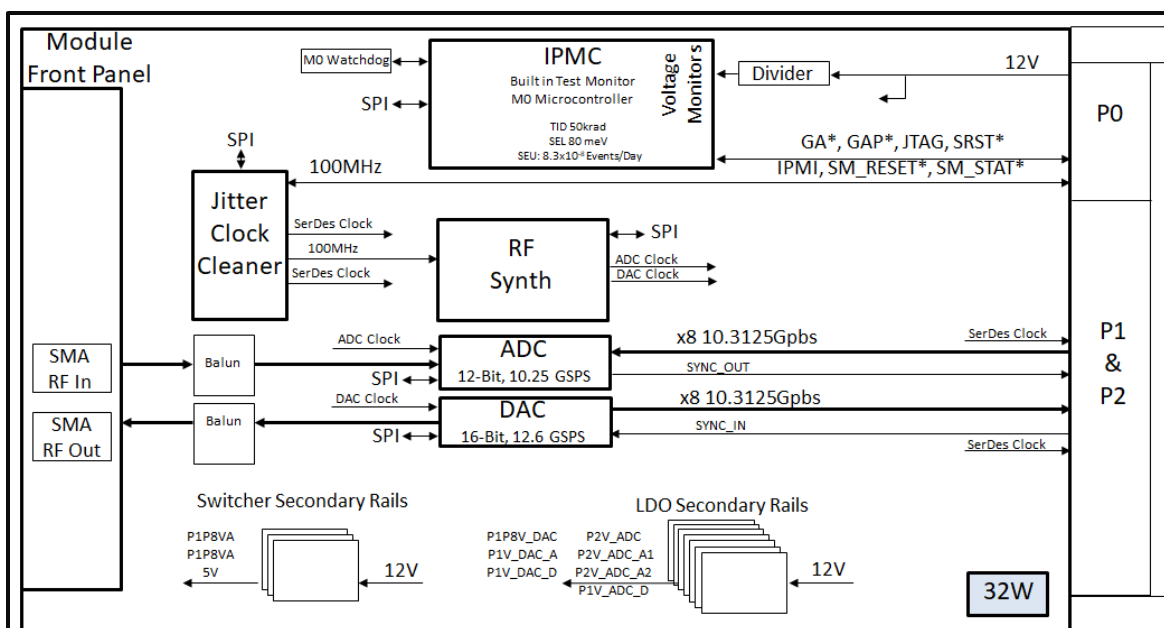
8/27/2024
Version 1.0.1



Introduction

The Frontgrade™ SRFM is a 600-2600MHz RF bandwidth module providing reliable direct-to-digital conversion of L/S-band RF signals. Leveraging Analog Devices’ AD9213S (ADC) and AD9176S (DAC), the SRFM supports JESD204B Subclass 0 communication to the backplane of a system implementation. The compact 3U SpaceVPX based design is compatible with Frontgrade’s 9-slot Reconfigurable Processing System (RPS-9x) allowing systems add multiple channels and implement full software defined radios.

To collect and report telemetry as well as oversee the major components of the design and allow for implementation of additional radiation mitigation and error handling strategies, the SRFM includes a Radiation Hardened ARM Cortex M0+ based Microcontroller with its own independent boot and application Flash Memory. The microcontroller also supports register settings of all major ICs on board to control clock generation and ADC/DAC settings.



System RF Module: SRFM

Features

AD9176S Digital to Analog Converter (DAC)

- 12.6 GSPS, 16-Bit Resolution, with interpolation
- 6.16 GSPS, 16-Bit Resolution, no interpolation
- Supports Real and Complex Data
- 48-bit NCO
- JESD204B x8
- 2-tone intermodulation distortion (IMD)
= -83 dBc at 1.8 GHz, -7 dBFS/tone RF output
- Spurious free dynamic range (SFDR)
<-80 dBc at 1.8 GHz, -7 dBFS RF output

AD9213S Analog to Digital Converter (ADC)

- 10.25 GSPS, 12-Bit Resolution, 6.5GHz bandwidth
- Integrated Digital Downconverter
- Supports Real and Complex Data
- 48-bit NCO
- JESD204B x8

Front Panel Interfaces

The SRFM Front Panel offers access to RF input and RF output through SMA connections.

- 1x RF Input (SMA)
- 1x RF Output (SMA)

Mass / Volume / Thermal

- Mass: <0.65kg, standard 3U SpaceVPX form factor
- -25°C to +65°C operational
- Power consumption: 31.5W as simulated

Software

The SRFM is delivered with a default configuration of microcontroller code. This code will boot the device into a known state. The microcontroller code can be modified based on mission specific applications and data rates.

Backplane Panel Interfaces

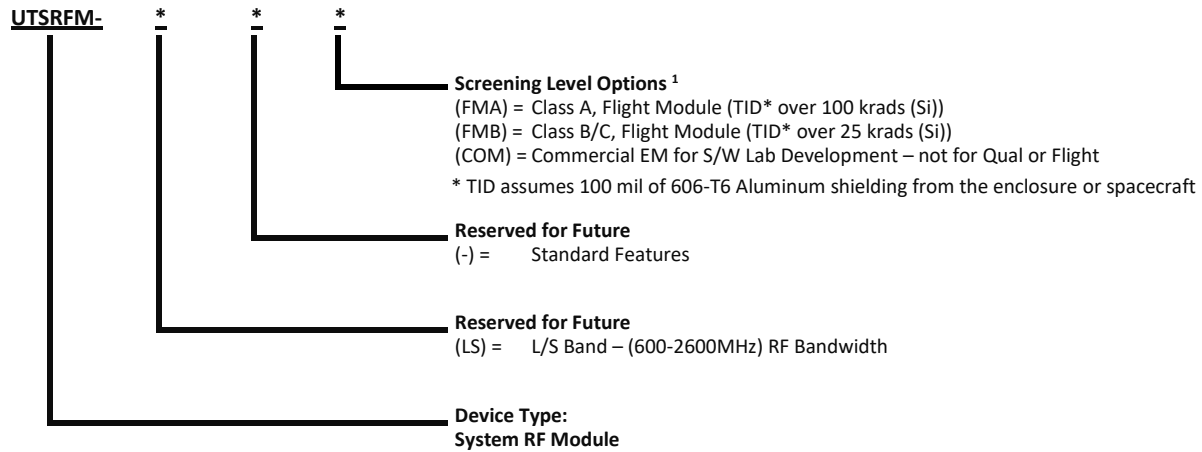
- 8x ADC and DAC SERDES Lanes (JESD204B)
- 1x UART for microcontroller reprogramming
- 1x 100MHz reference clock input
- 1x IPMB interface with subset of IPMB commands supported
- 1x reset interface
- JESD204B signals
 - 1X DAC_SYNCOUT+/-,
 - 1X FPGA_SYSREF+/-,
 - 1X FPGA_REF_CLK+/-,
 - 1X ADC_TRIG+/-,
 - 1X ADC_SYNCIN+/-,
 - 1X ADC_SYNCIN_SE
- SpaceVPX peripheral slot profile (Slot Profile: SLT3-PAY-2T1Q-14.3.1)
- 12V Power Input

Operational Life / Reliability and Performance

- System reliability over 0.9
- System SEU rate: No more than one per year for typical LEO Missions
- TID of 25 krad (Si) or 100 krad (Si) optional assuming 100 mils of shielding with 6061-T6 Aluminum
- NASA PEM-INST-001 Level-2 parts pedigree available

Ordering Information

Frontgrade Part Numbering Ordering Information



Notes:

1. Screening Level Options (FMA, FMB, or COM) must be specified.

Revision History

Date	Revision #	Author	Change Description	Page #
4/16/2024	1.0.0	Kevin.Caster@Frontgrade.com	Advanced Product Brief – initial release and data is subject to change	All
8/27/2024	1.0.1	TLM	All: Reformatting and editorial updates Sheet 5: Replaced export-controlled statement with unlimited distribution statement	All

Datasheet Definitions

	Definition
Advanced Datasheet	Frontgrade reserves the right to make changes to any products and services described herein at any time without notice. The product is still in the development stage and the datasheet is subject to change . Specifications can be TBD and the part package and pinout are not final .
Preliminary Datasheet	Frontgrade reserves the right to make changes to any products and services described herein at any time without notice. The product is in the characterization stage and prototypes are available.
Datasheet	Product is in production and any changes to the product and services described herein will follow a formal customer notification process for form, fit or function changes.

Frontgrade Technologies Proprietary Information Frontgrade Technologies (Frontgrade or Company) reserves the right to make changes to any products and services described herein at any time without notice. Consult a Frontgrade sales representative to verify that the information contained herein is current before using the product described herein. Frontgrade does not assume any responsibility or liability arising out of the application or use of any product or service described herein, except as expressly agreed to in writing by the Company; nor does the purchase, lease, or use of a product or service convey a license to any patent’s rights, copyrights, trademark rights, or any other intellectual property rights of the Company or any third party.

Distribution Statement A: Approved for public release. Distribution is unlimited.